

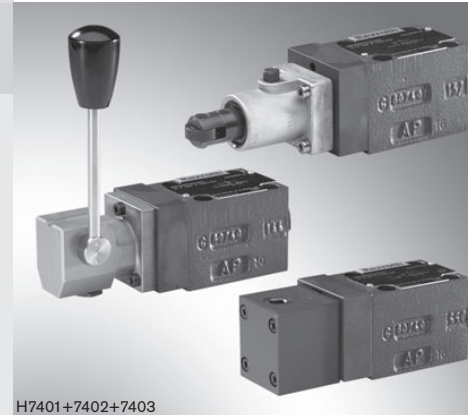
# 2/2, 3/2 and 4/2 directional seat valve with mechanical, manual or fluidic operation

RE 22340/10.06

1/14

## Type M-.S..

Sizes 6 and 10  
Component series 3X  
Maximum operating pressure 420/630 bar  
Maximum flow 40 l/min



H7401+7402+7403

## Table of contents

Contents	Page
Features	1
Ordering code	2
Types of actuation	2
Function, section, symbols	3, 4
Technical data	5
Characteristic curves	6, 7
Performance limit	8
Unit dimensions	9 to 13
Throttle insert	14
Check valve insert	14
General notes	14

## Features

- Direct operated directional seat valve with mechanical, manual or fluidic operation
- Porting pattern according to DIN 24340 form A (**without** locating bore)
- Reliable operation even after longer time under pressure
- Types of actuation:
  - Mechanical (roller plunger)
  - Manual (hand lever)
  - Hydraulic
  - Pneumatic
- Inductive position switch (contact-free), optional, see RE 24830.

Information on available spare parts:  
[www.boschrexroth.com/spc](http://www.boschrexroth.com/spc)



## Function, section, symbols: 2/2 and 3/2 directional seat valve

### General

Directional valves of type M-S are directional seat valves with manual, mechanical or fluidic operation. They control the start, stop and direction of a flow and basically consist of housing (1), actuator (2), a hardened valve system (3) as well as ball/spool (4) as closing body.

### Basic principle

In the initial position, ball/spool (4) is pressed by spring (7) onto the seat, and in the operated position by the relevant actuator (2). The force of the actuator acts via ball (5) onto the actuating plunger (6), which is sealed on two sides. The chamber between the two seal elements is connected to port P. In this way, valve system (3) is pressure-compensated with regard to the actuating forces (actuator or return spring). The valves can therefore be used for pressures up to 630 bar.

### Note!

These 3/2 directional seat valves feature a "negative overlap". Port T must therefore always be connected. This means that during switching - from the start of opening of one valve seat to closing of the other valve seat - ports P-A-T are interconnected. However, this process takes place so quickly that is irrelevant in nearly all applications.

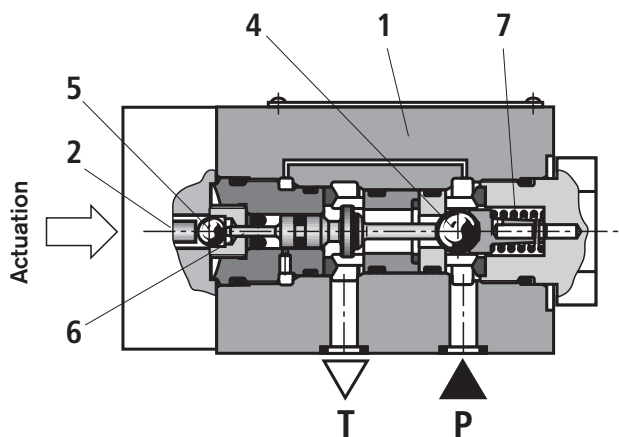
### Important!

Care must be taken that the specified maximum flow is not exceeded! If required, a throttle insert must be used to limit the flow (see page 14)

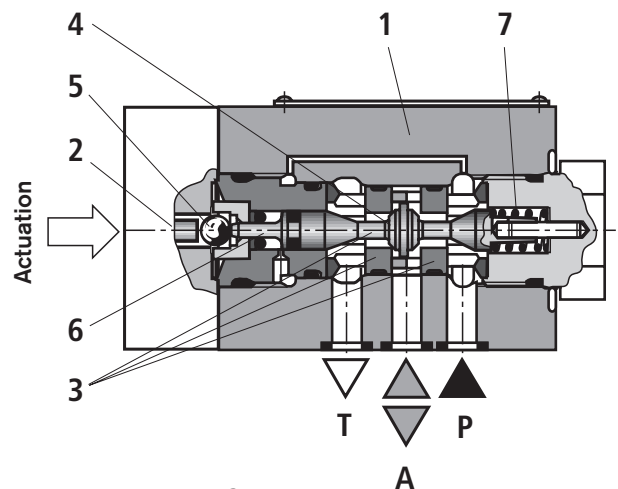
The seat arrangement offers the following possibilities:

2/2 directional seat valve	
Symbol "P"	
Initial position	P and T connected
Operated position	P blocked
Symbol "N"	
Initial position	P blocked
Operated position	P and T connected

3/2 directional seat valve	
Symbol "U"	
Initial position	P and A connected, T blocked
Operated position	P blocked, A and T connected
Symbol "C"	
Initial position	P blocked, A and T connected
Operated position	P and A connected, T blocked



Type M-2S.. 6 N...



Type M-3S.. 6 U...

For types of actuation, see page 2 and page 13

## Function, section, symbols, schematic illustration: 4/2 directional seat valve

A sandwich plate, a **Plus-1-plate**, installed under the 3/2 directional seat valve can be used to realize the function of a 4/2 directional seat valve.

### Function of the Plus-1-plate:

#### Initial position

The main valve is not operated. Spring (9) holds ball (4.1) on seat (11). Port P is blocked and A connected to T. Moreover, the pilot line from A is connected to the large area of pilot piston (12) and is therefore relieved to tank. The pressure applied via P now shifts ball (13) onto seat (14). Now, P is connected to B and A to T.

#### Transitional position

When the main valve is operated, spool (4.2) is shifted against spring (9) and pressed onto seat (15). This causes port T to be closed, whereas P, A and B are briefly connected.

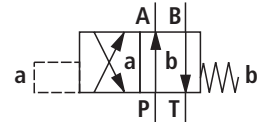
#### Operated position

P is connected to A. Because the pump pressure acts via A on the large area of pilot piston (12), ball (13) is pressed onto seat (16). B is therefore connected to T and P to A. Ball (13) in the Plus-1-plate has a "positive overlap".

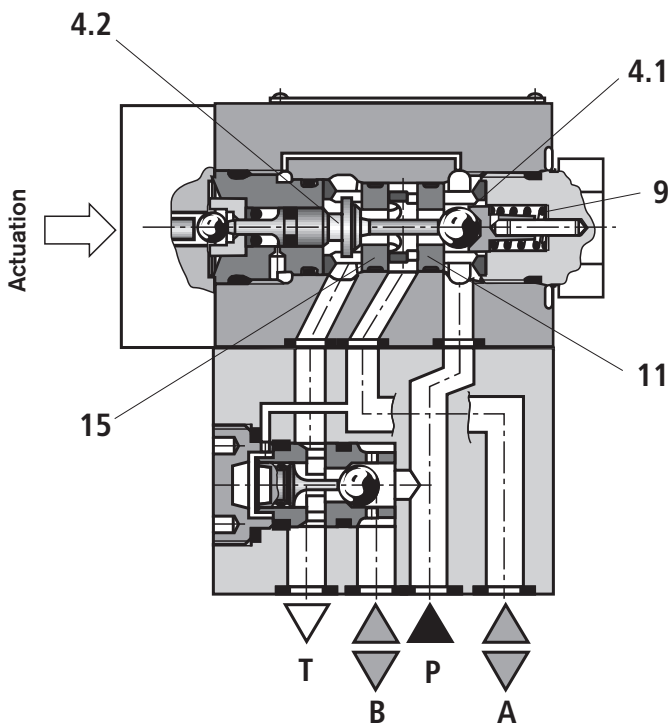
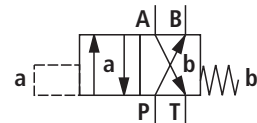
**In order to prevent pressure intensification when single-rod cylinders are used, the annulus chamber of the cylinder must be connected to A.**

The use of a Plus-1-plate in conjunction with the seat arrangement offers the following possibilities:

Symbol "D":

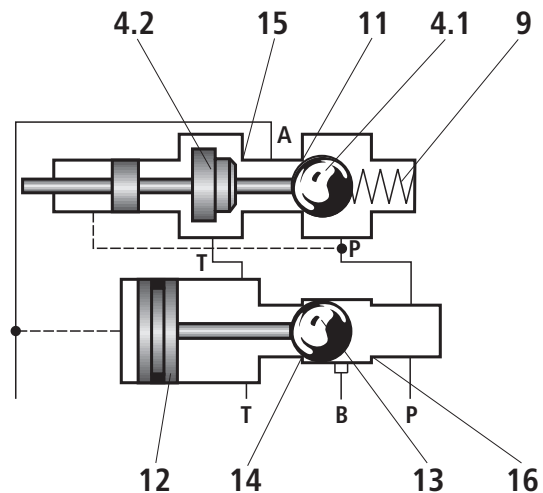


Symbol "Y":



Type M-4S.. 6 Y...

### Schematic illustration: Initial position



For types of actuation, see page 2 and page 13

**Technical data** (for applications outside these parameters, please consult us!)

<b>General</b>										
Size	Size	6				10				
Type		SH	SP	SMR	SMM	SH	SP	SMR	SMM	
Weight	– 2/2 directional seat valve	kg	1.5	1.5	1.5	1.5	–	–	–	–
	– 3/2 directional seat valve	kg	1.5	1.5	1.5	1.5	2.45	2.45	2.45	2.45
	– 4/2 directional seat valve	kg	2.2	2.2	2.2	2.2	3.3	3.3	3.3	3.3
Installation orientation			Optional							
Ambient temperature range		°C	–30 to +50 (NBR seals) –20 to +50 (FKM seals)							
Pilot pressure	– Minimum	bar	5	3	–	–	5	3	–	–
	– Maximum	bar	210	12	–	–	210	12	–	–
Actuating force	– Maximum	N	–	–	250	50	–	–	250	50

**Hydraulic**

Maximum operating pressure	bar	See table on page 8
Maximum flow	l/min	25                      40
Hydraulic fluid		Mineral oil (HL, HLP) to DIN 51524 <sup>1)</sup> ; fast bio-degradable hydraulic fluids to VDMA 24568 (see also RE 90221); HETG (rape seed oil) <sup>1)</sup> ; HEPG (polyglycols) <sup>2)</sup> ; HEES (synthetic esters) <sup>2)</sup> ; other hydraulic fluids in enquiry
Hydraulic fluid temperature range	°C	–30 to +80 (NBR seals) –20 to +80 (FKM seals)
Viscosity range	mm <sup>2</sup> /s	2.8 to 500
Max. permissible degree of contamination of the hydraulic fluid - cleanliness class to ISO 4406 (c)		Class 20/18/15 <sup>3)</sup>

<sup>1)</sup> Suitable for NBR and FKM seals

<sup>2)</sup> Suitable only for FKM seals

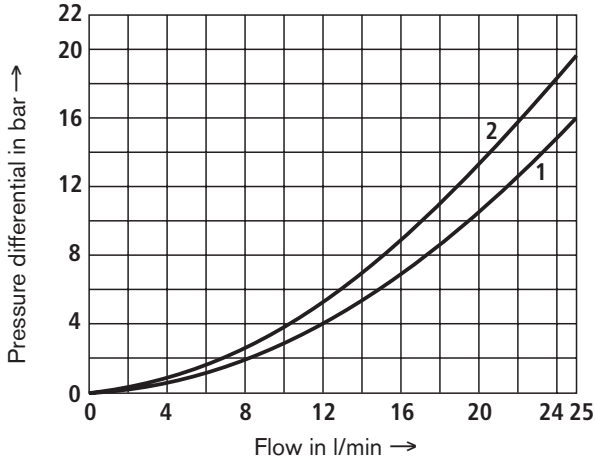
<sup>3)</sup> The cleanliness classes specified for components must be adhered to in hydraulic systems. Effective filtration prevents malfunction and, at the same time, prolongs the service life of components.

For the selection of filters, see data sheets RE 50070, RE 50076, RE 50081, RE 50086 and RE 50088.

**Characteristic curves: Size 6 (measured with HLP46,  $\vartheta_{oil} = 40\text{ °C} \pm 5\text{ °C}$ )**

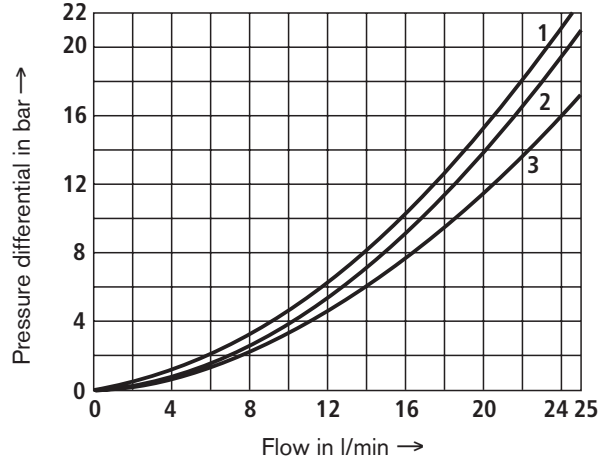
**$\Delta p$ - $q_v$  characteristic curves**

**2/2 directional seat valve**



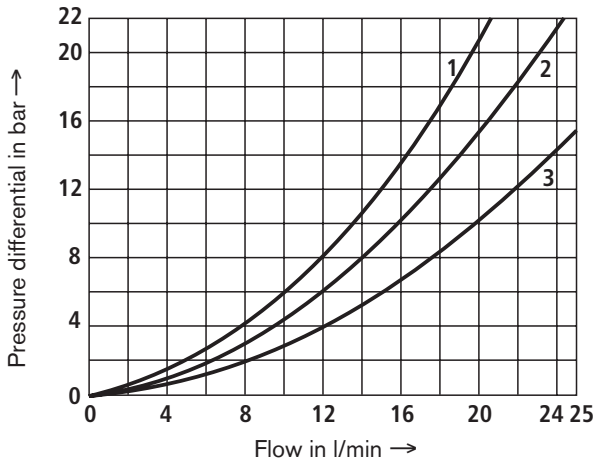
- 1 M-2S.. 6 N ..., P to T
- 2 M-3S.. 6 P ..., P to T

**3/2 directional seat valve**



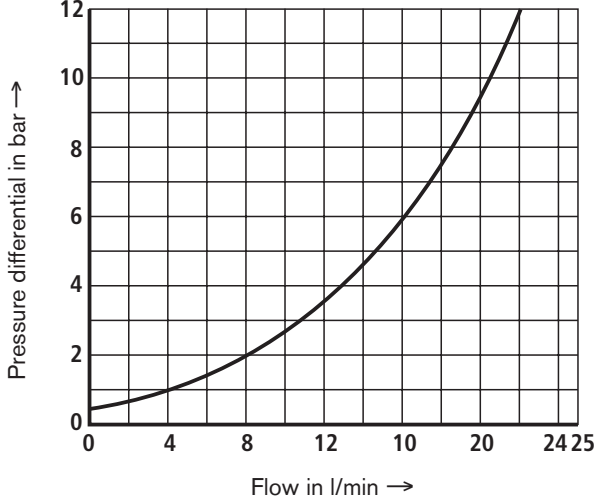
- 1 M-3S.. 6 U C ..., A to T
- 2 M-3S.. 6 U ..., P to A
- 3 M-3S.. 6 C ..., P to A

**4/2 directional seat valve**

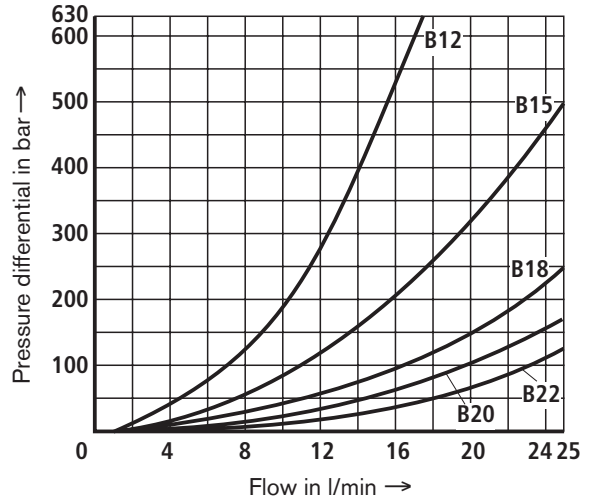


- 1 M-4S.. 6 D Y ..., A to T
- 2 M-4S.. 6 D Y ..., P to A
- 3 M-4S.. 6 D Y ..., P to B and B to T

**Check valve insert**



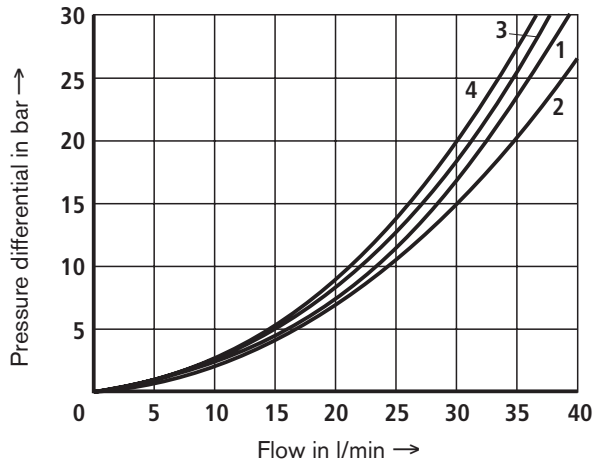
**Throttle insert**



**Characteristic curves: Size 10 (measured with HLP46,  $\vartheta_{oil} = 40\text{ °C} \pm 5\text{ °C}$ )**

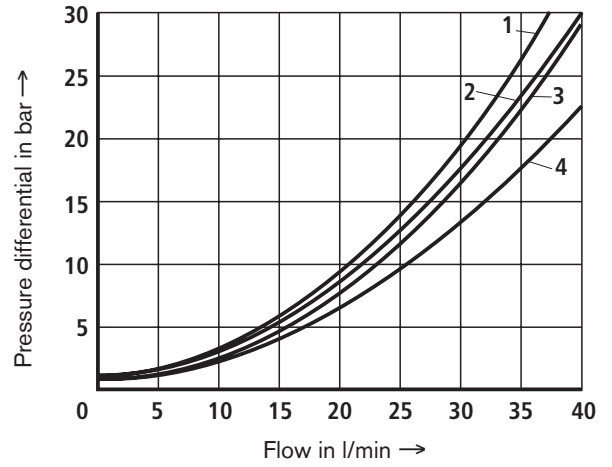
**$\Delta p$ - $q_v$  characteristic curves**

**3/2 directional seat valve**



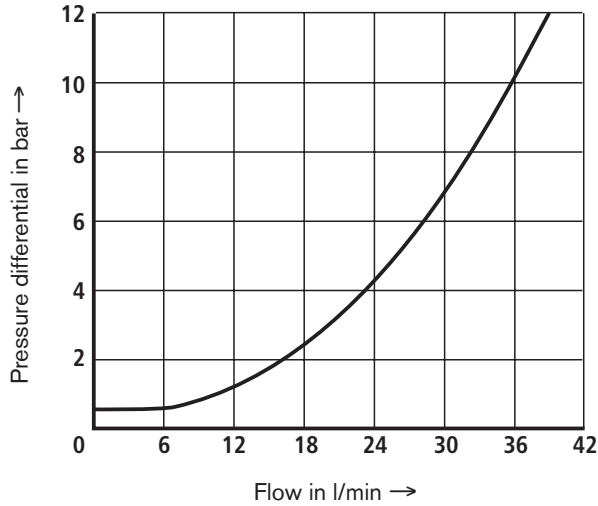
- 1 M-3S.. 10 C ..., P to A
- 2 M-3S.. 10 C ..., A to T
- 3 M-3S.. 10 U ..., P to A
- 4 M-3S.. 10 U ..., A to T

**4/2 directional seat valve**

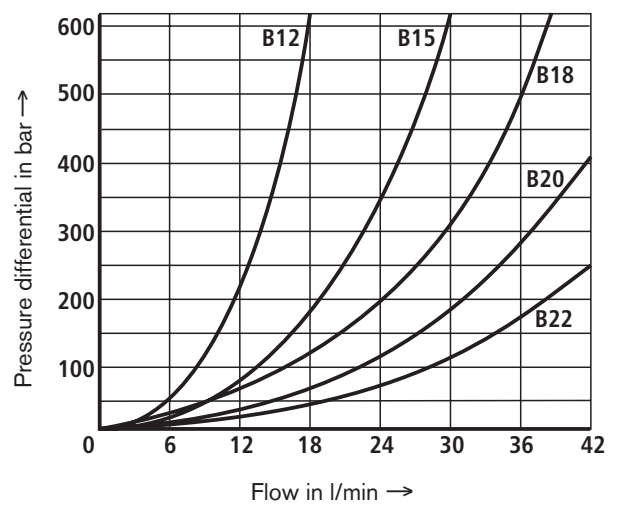


- 1 M-4S.. 10 D Y ..., A to T
- 2 M-4S.. 10 D Y ..., P to A
- 3 M-4S.. 10 D Y ..., P to B
- 4 M-4S.. 10 D Y ..., B to T

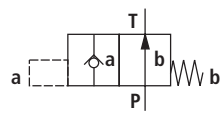
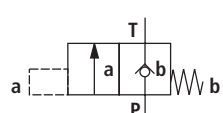
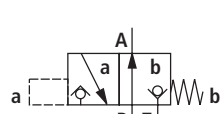
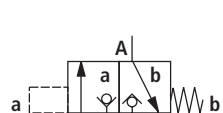
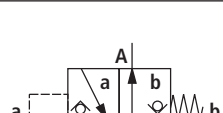
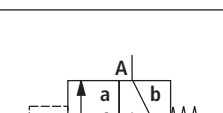
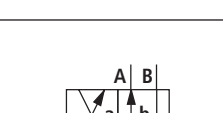
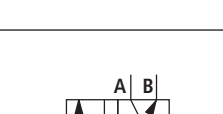
**Check valve insert**



**Throttle insert**



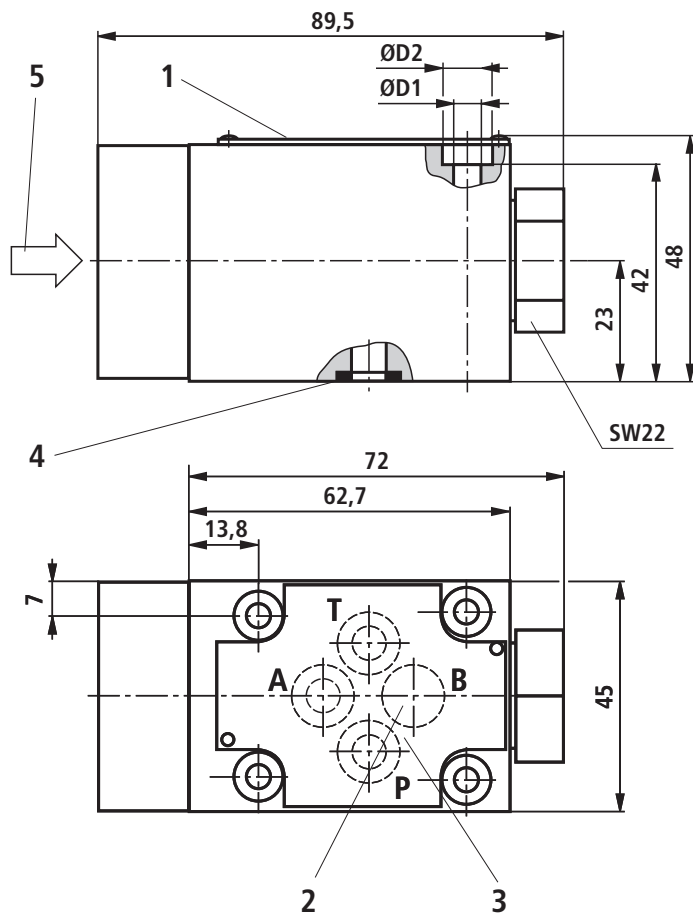
**Performance limit** (measured with HLP46,  $\vartheta_{oil} = 40\text{ °C} \pm 5\text{ °C}$ )

	Symbol	Remark	Maximum operating pressure in bar				Flow in l/min	
			P	A	B	T	Size 6	Size 10
2-way circuit (2/2 directional seat valve)	P 	$p_P \geq p_T$	420/ 630			100	25	40
	N 		420/ 630			100	25	40
2-way circuit (3/2 directional seat valve) only as unloading function	U 	Before switching from the initial position to the operated position, pressure must be applied in port A. $p_A \geq p_T$		420/ 630		100	25	40
	C 	$p_A \geq p_T$		420/ 630		100	25	40
3-way circuit	U 	$p_P \geq p_A \geq p_T$	420/ 630	420/ 630		100	25	40
	C 		420/ 630	420/ 630		100	25	40
4-way circuit (flow possible only in the direction of the arrow!)	D 	3/2 directional valve (symbol "U") in conjunction with Plus-1-plate: $p_P > p_A \geq p_B > p_T$	420/ 630	420/ 630	420/ 630	100	25	40
	Y 	3/2 directional valve (symbol "C") in conjunction with Plus-1-plate: $p_P > p_A \geq p_B > p_T$	420/ 630	420/ 630	420/ 630	100	25	40

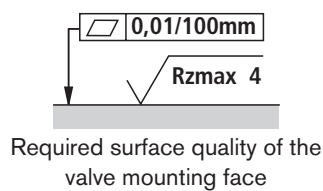
**⚠ Important!**

Please observe the general notes on page 14!



**Unit dimensions: 2/2, 3/2 directional seat valve – size 6 (nominal dimensions in mm)**


Operating pressure in bar	ØD1	ØD2
420	5,3	10
630	6,5	11



1 Nameplate

2 **⚠ Important!**

– With 3/2 and 4/2 directional seat valves, port B is provided as blind bore on the 420-bar version, and not provided on the 630-bar variant.

3 Porting pattern to DIN 24340 form A

4 Seal rings

5 For types of actuation, see page 13

**Valve fixing screws (separate order)**

– 420 bar version:

**4 hexagon socket head cap screws**

**ISO 4762 M5 x 50 - 10.9-fIZn-240h-L**

(friction coefficient  $\mu_{\text{total}} = 0.09$  to  $0.14$ );

tightening torque  $M_T = 7 \text{ Nm} \pm 10\%$ ,

Material no. **R913000064**

– 630 bar version:

**4 hexagon socket head cap screws**

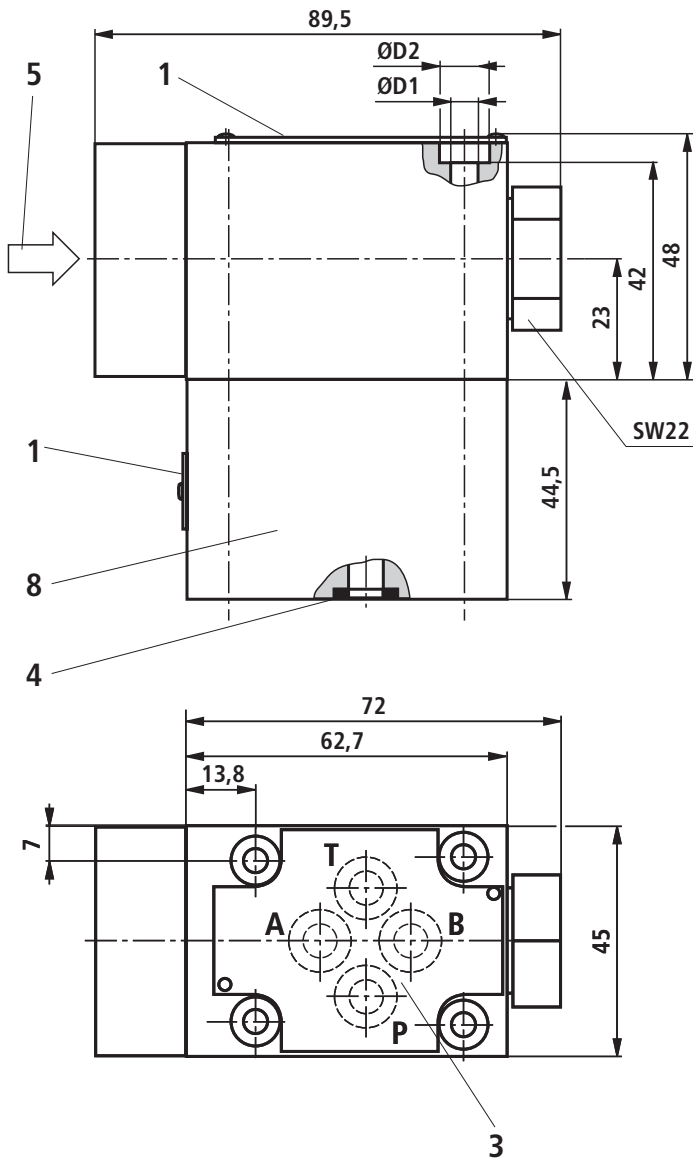
**ISO 4762 M6 x 50 - 10.9-fIZn-240h-L**

(friction coefficient  $\mu_{\text{total}} = 0.09$  to  $0.14$ );

tightening torque  $M_T = 12.5 \text{ Nm} \pm 10\%$ ,

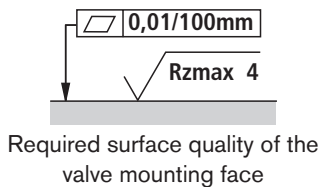
Material no. **R913000151**

**Unit dimensions: 4/2 directional seat valve – size 6 (nominal dimensions in mm)**



- 1 Nameplate
- 3 Porting pattern to DIN 24340 form A
- 4 Seal rings
- 5 For types of actuation, see page 13
- 8 Plus-1-plate

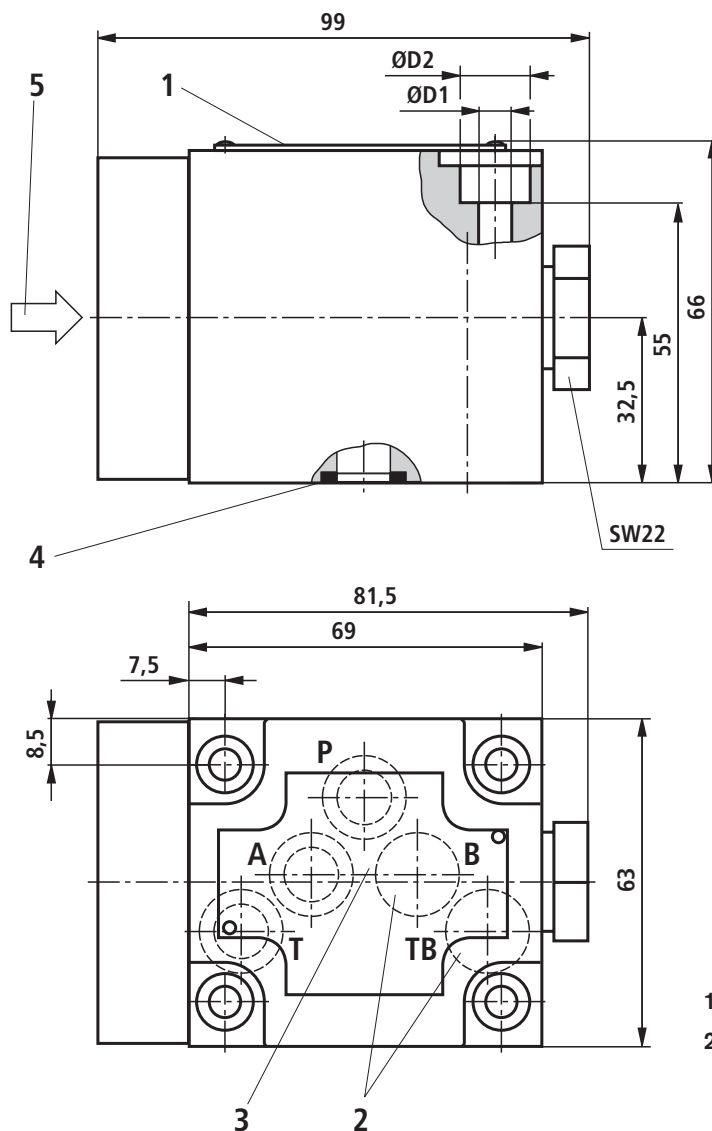
Operating pressure in bar	$\varnothing D1$	$\varnothing D2$
420	5,3	10
630	6,5	11



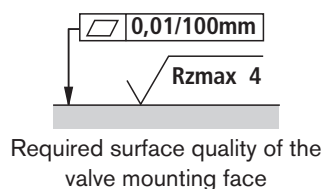
**Valve fixing screws** (included in the scope of supply)

- 420 bar version:
  - 4 hexagon socket head cap screws**
  - ISO 4762 M5 x 95 - 10.9-fIZn-240h-L**
  - (friction coefficient  $\mu_{total} = 0.09$  to  $0.14$ );
  - tightening torque  $M_T = 7 \text{ Nm} \pm 10\%$ ,
  - Material no. **R913000223**
- 630 bar version:
  - 4 hexagon socket head cap screws**
  - ISO 4762 M6 x 95 - 10.9-fIZn-240h-L**
  - (friction coefficient  $\mu_{total} = 0.09$  to  $0.14$ );
  - tightening torque  $M_T = 12.5 \text{ Nm} \pm 10\%$ ,
  - Material no. **R913000549**

## Unit dimensions: 3/2 directional seat valve – size 10 (nominal dimensions in mm)



Operating pressure in bar	ØD1	ØD2
420	6.4	14
630	8.4	14



1 Nameplate

2 **⚠ Important!**

On 3/2 directional seat valves, ports B and TB are provided as blind holes.

3 Porting pattern to DIN 24340 form A

4 Seal rings

5 For types of actuation, see page 13

### Valve fixing screws (separate order)

– 420 bar version:

**4 hexagon socket head cap screws**

**ISO 4762 M6 x 65 - 10.9-fIZn-240h-L**

(friction coefficient  $\mu_{\text{total}} = 0.09$  to  $0.14$ );

tightening torque  $M_T = 12.5 \text{ Nm} \pm 10\%$ ,

Material no. **R913000127**

– 630 bar version:

**4 hexagon socket head cap screws**

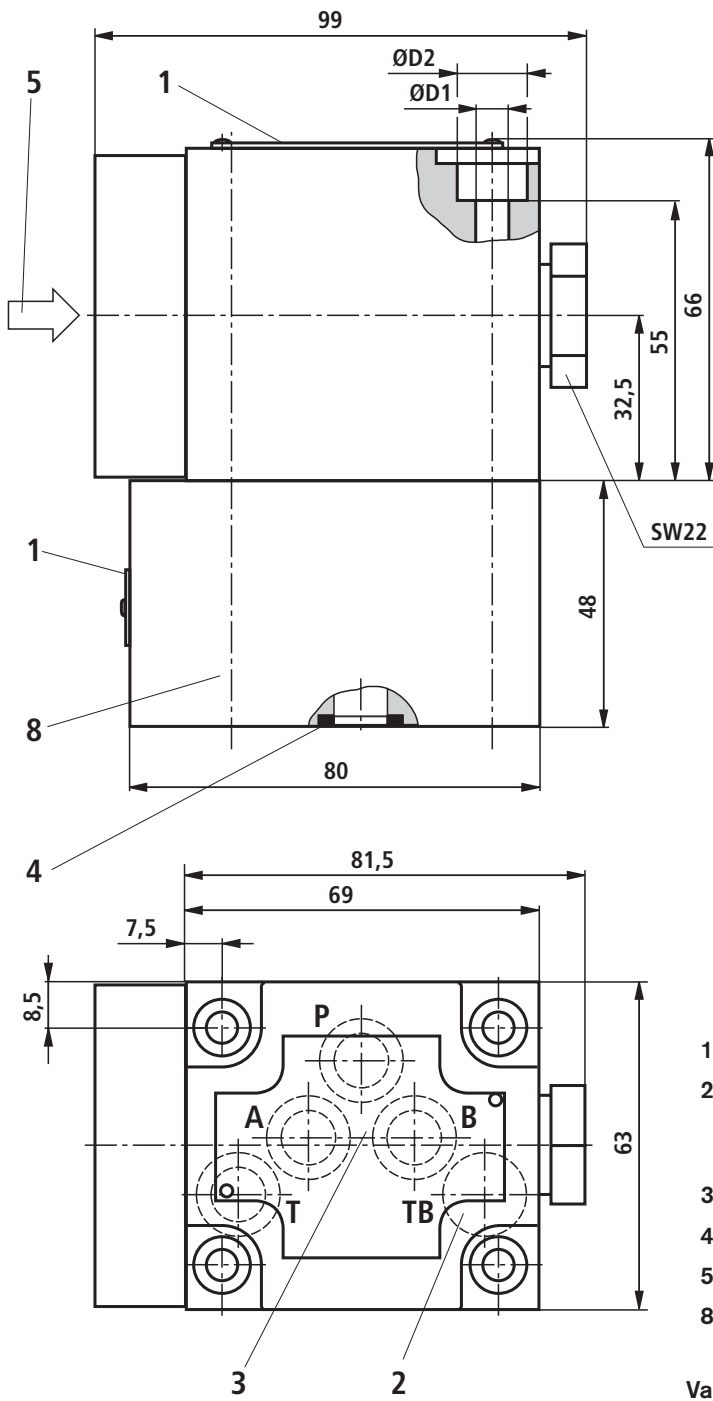
**ISO 4762 M8 x 65 - 10.9-fIZn-240h-L**

(friction coefficient  $\mu_{\text{total}} = 0.09$  to  $0.14$ );

tightening torque  $M_T = 30 \text{ Nm} \pm 10\%$ ,

Material no. **R913000368**

**Unit dimensions: 4/2 directional seat valve – size 10 (nominal dimensions in mm)**

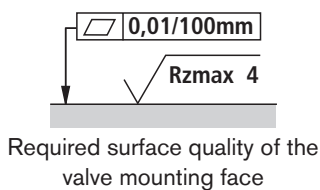


- 1 Nameplate
- 2 **⚠ Important!**  
On 4/2 directional seat valves, port TB is provided as blind hole.
- 3 Porting patten to DIN 24340 form A
- 4 Seal rings
- 5 For types of actuation, see page 13
- 8 Plus-1-plate

**Valve fixing screws (included in the scope of supply)**

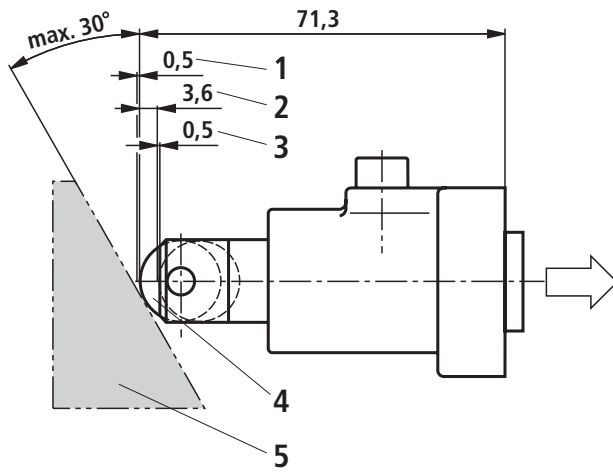
- 420-bar version:  
**4 hexagon socket head cap screws**  
**ISO 4762 M6 x 115 - 10.9-fIZn-240h-L**  
 (friction coefficient  $\mu_{total} = 0.09$  to  $0.14$ );  
 tightening torque  $M_T = 12.5 \text{ Nm} \pm 10\%$ ,  
 Material no. **R900018811**
- 630 bar version:  
**4 hexagon socket head cap screws**  
**ISO 4762 M8 x 115 - 10.9-fIZn-240h-L**  
 (friction coefficient  $\mu_{total} = 0.09$  to  $0.14$ );  
 tightening torque  $M_T = 30 \text{ Nm} \pm 10\%$ ,  
 Material no. **R913000368**

Operating pressure in bar	$\varnothing D1$	$\varnothing D2$
420	6.4	14
630	8.5	14



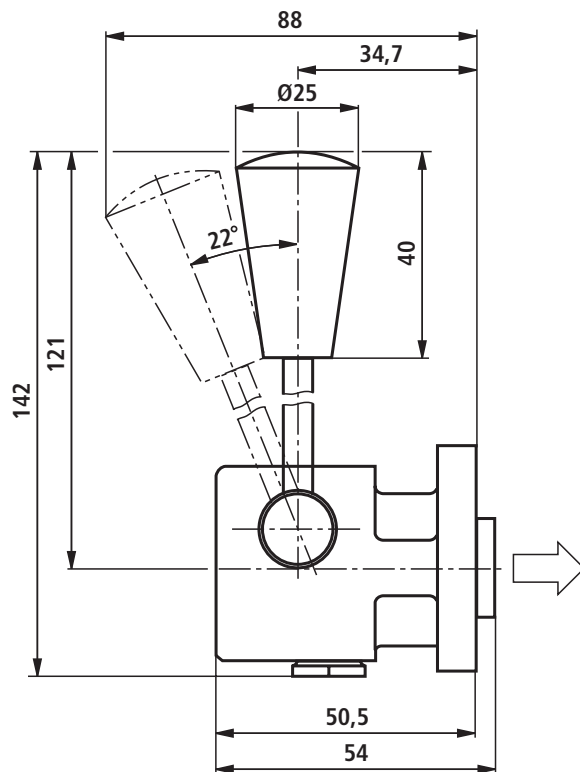
**Unit dimensions: Types of actuation (nominal dimensions in mm)**

**Type M-.SMR...**

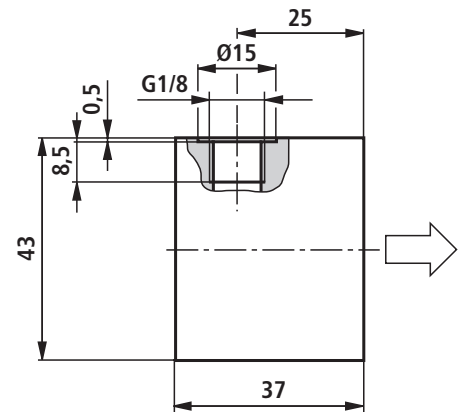


- 1 Idle stroke
- 2 Working stroke
- 3 Overtravel
- 4 Roller width 6 mm
- 5 Start-up angle in both directions

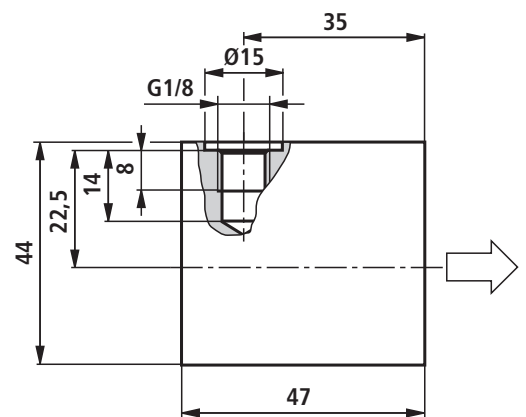
**Type M-.SMM...**



**Type M-.SH...**



**Type M-.SP...**



## Throttle insert

The use of a throttle insert is required, if, due to given operating conditions, flows can occur during switching operations, which exceed the performance limit of the valve.

Examples:

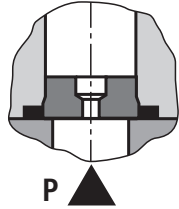
- Accumulator operation,
- Use as pilot valve with internal pilot oil tapping.

### 2/2 and 3/2 directional seat valve (see page 3)

The throttle insert must be plugged into port P of the directional seat valve.

### 4/2 directional seat valve (see page 4)

The throttle insert must be plugged into port P of the Plus-1-plate.



## Check valve insert

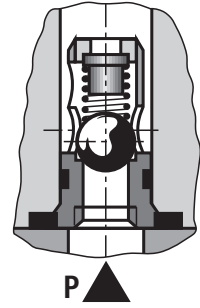
The check valve insert allows a free fluid flow from P to A and provides leak-free closure from A to P.

### 2/2 and 3/2 directional seat valve (see page 3)

The check valve insert must be plugged into port A of the seat valve.

### 4/2 directional seat valve (see page 4)

The check valve insert must be plugged into port P of the Plus-1-plate.



## General notes

Seat valves can be used according to the spool symbols and the assigned operating pressures and flows (see performance limits on page 8).

To ensure proper functioning, the points below must in any case be observed:

- To allow the reliable operation of the valve or holding it in the operated position, the pressure must be  $p_P \geq p_A \geq p_T$  (for design reasons).
- Seat valves feature a negative overlap, i.e. during the switching operation, leakage oil incurs. This process takes place within such a short time that it is irrelevant in nearly all applications.
- The specified maximum flow must not be exceeded (if required, install a throttle insert to limit the flow)!

### Plus-1-plate:

- When using the Plus-1-plate (4/2 directional function) the following lower operating values must be observed:  
 $p_{\min} = 8 \text{ bar}$ ;  $q_V > 3 \text{ l/min}$ .
- Ports P, A, B and T are clearly determined according to their functions. They must not be exchanged or plugged!
- In the 3- and 4-way position, port T must always be connected.
- The fluid flow is only permitted in the direction of the arrow!

## Notes

---

Bosch Rexroth AG  
Hydraulics  
Zum Eisengießer 1  
97816 Lohr am Main, Germany  
Phone +49 (0) 93 52 / 18-0  
Fax +49 (0) 93 52 / 18-23 58  
documentation@boschrexroth.de  
www.boschrexroth.de

© This document, as well as the data, specifications and other information set forth in it, are the exclusive property of Bosch Rexroth AG. It may not be reproduced or given to third parties without its consent.

The data specified above only serve to describe the product. No statements concerning a certain condition or suitability for a certain application can be derived from our information. The information given does not release the user from the obligation of own judgment and verification. It must be remembered that our products are subject to a natural process of wear and aging.

## Notes

---

Bosch Rexroth AG  
Hydraulics  
Zum Eisengießer 1  
97816 Lohr am Main, Germany  
Phone +49 (0) 93 52 / 18-0  
Fax +49 (0) 93 52 / 18-23 58  
documentation@boschrexroth.de  
www.boschrexroth.de

© This document, as well as the data, specifications and other information set forth in it, are the exclusive property of Bosch Rexroth AG. It may not be reproduced or given to third parties without its consent.

The data specified above only serve to describe the product. No statements concerning a certain condition or suitability for a certain application can be derived from our information. The information given does not release the user from the obligation of own judgment and verification. It must be remembered that our products are subject to a natural process of wear and aging.